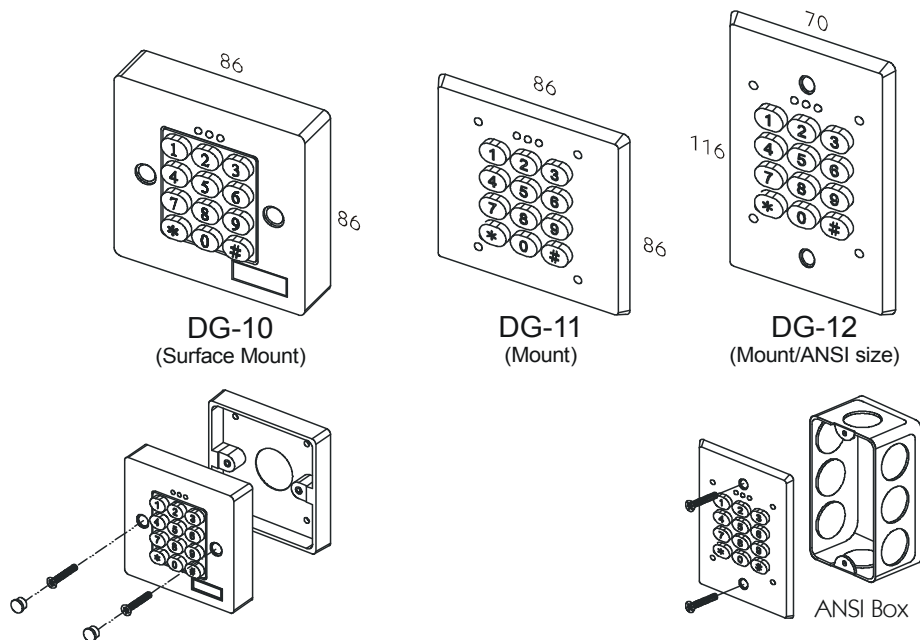


The Digital Keyless Entry System (4 digit) Operation User's Manual



I. Features:

- ◆ 4 digit codes
- ◆ Door Reed Switch Input for Anti-Trailing
- ◆ 10 user PINs
- ◆ Fully Programmable via keypad and master code
- ◆ Non-Volatile Memory
- ◆ Invalid PIN Lock-out

II. Specifications:

- ◆ Operating Voltage: 9~14 Vdc
- ◆ Current Draw: Average 30mA, Peak 80mA @ 12Vdc
- ◆ Input: One request-to-exit, and time out reed switch
- ◆ Relays: N.O./N.C./Com. Output (free voltage contact), 3A@ 125Vac or 30Vdc
- ◆ Case Material: ABS (UL94V0)
- ◆ Operating Temperature: -20~+70°C
- ◆ Ambient Humidity: 0~95% relative humidity non-condensing
- ◆ Visual Signals:
 - Green: Power on
 - Red: Relay activated
 - Yellow: Program Mode · Lock-out
- ◆ Factory Master Code: 1234
- ◆ Invalid PIN Lockout: System will shut down 60 seconds while 6 times of incorrectly password attempted.
- ◆ Relay Activation Time: (* 20)
 - Pulse mode : 1~99 seconds (01~99)
 - Latching mode (00)
- ◆ EPROM: Non-volatile memory, System will retain all programs and codes after a total loss of power.
- ◆ User PINs: (* 01~* 10) It is possible to program 10 different user PIN codes.

III. Program Instruction:

◆ **Enter Program Mode:**

1. Enter the master code twice (Factory master is 「1234」)
 →2 beeps and the Yellow LED will light up.
 → you are now in the "programming mode".
2. **Note:** After 60 seconds if you have not entered any codes or data, the system will automatically exit from the programming mode. After 6 wrong attempts at the master code the lockout facility will operate.

◆ **Exiting from the program mode:**

1. Press 「#」 to exit from the programming mode.
2. **Note:** After 60 seconds if you have not entered any codes or data, the system will automatically exit from the programming mode. After 6 wrong attempts at the master code the lockout facility will operate.

◆ **To Enter a User Code :**

Enter the Programming mode

1. Enter the slot position code 「*01~*10」 →???? (user code 4 digit) → (beep)
 →enrolled→ Press # to exit from the programming mode, or program other operating.
2. **Note:** The codes "0000", "1234" or master code are not be used for PIN code.

◆ **To Program Relocking Timer (relay) :**

Enter the Programming mode

- A. Press 「*20」 Followed by the number of seconds the relay should open→ 「05」
 =5 seconds (01 ~99 = seconds) → (beep) →enrolled → Press 「#」 to exit from the programming mode, or program other operating.
- B. Enter 「00」 Sets the relay to latching mode. (Correct code entered opens the relay, and the relay stays open until the correct code is entered again).

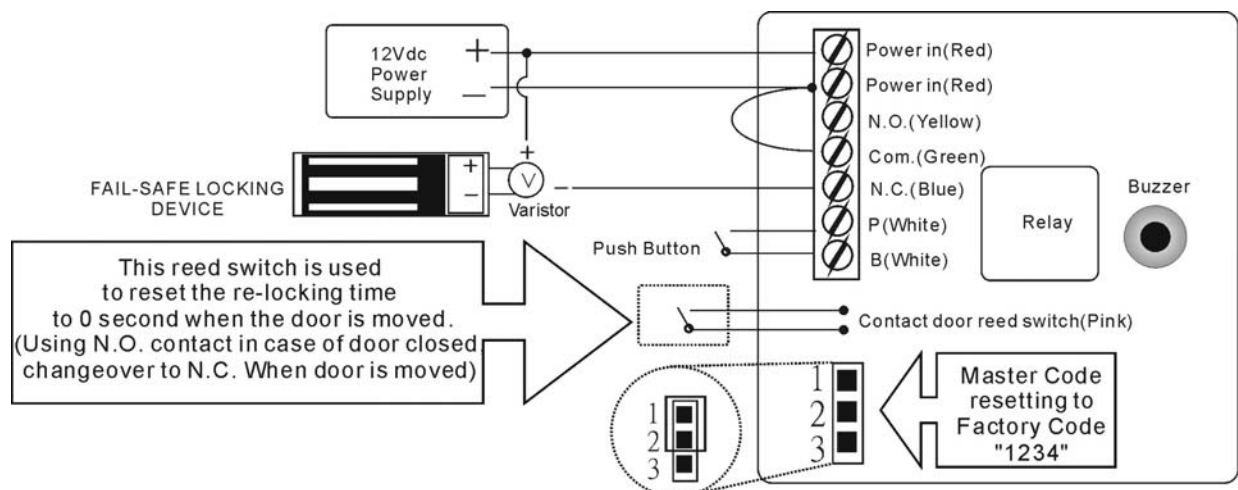
◆ **To Delete a User Code :**

Enter the Programming mode→ Press the slot position code of your choice to delete (example "06") →Press 「*06」 →「0000」 → (beep) →delete→Press 「#」 to exit from the programming mode, or programming other operating.

◆ **To Change the Master codes:**

Enter the Programming mode, Enter 「*00」 Followed by the new 5 digit master code→ (beep) →enrolled→Enter 「#」 to exit from the programming mode, or program other operating.

IV. Wiring diagram:



Note:

The varistor or diode must be connected across the lock terminal (electromagnet...) operated by the device. The varistor controls the overload produced by the strike coil (EMP).